

Notices

If patient experiences any skin irritation or severe discomfort contact your healthcare professional or medical technician.

If any serious incident or injury occurs please contact Therafin Corp. and the competent authority for your country

Product is made of materials which can be disposed of safely without special precautions.

Warranty

Any product found to be defective due to the material or workmanship within one year will be replaced under our return policy following product evaluation by Therafin Corp.. This replacement warranty does not include misuse or neglect of the product.

*Document 07102
Revision A 6-2021*



Therafin Corporation
9450 W Laraway Road
Frankfort, IL 60423 USA
800-843-7234
www.therafin.com



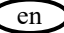
EMERGO EUROPE
Prinsessegracht 20
2514 AP The Hague
The Netherlands

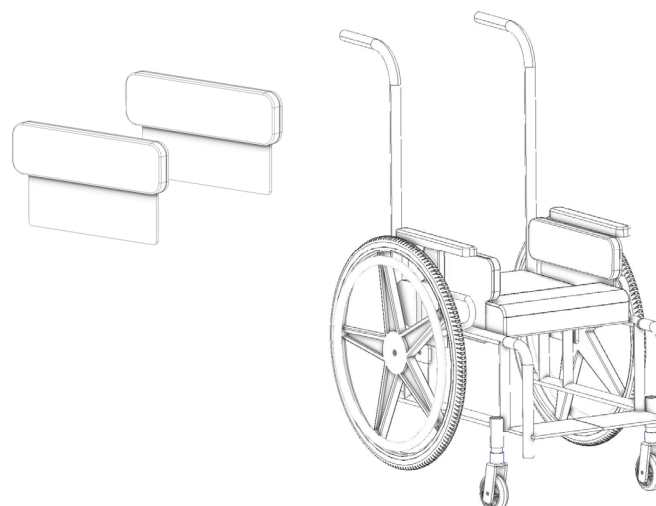


No Mount Hip Guide

34503
34504
34505



2.  Provide lateral support for the hips while patient is in a seated position in a wheelchair to promote good posture and to reduce fatigue.

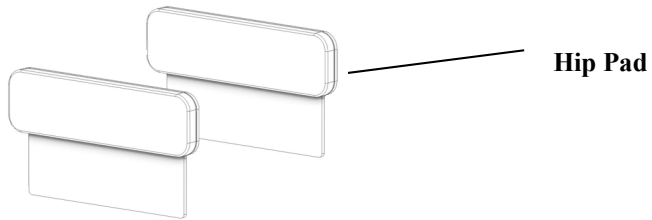


*Document 07102
Revision A 6-2021*

Easy Clip Back

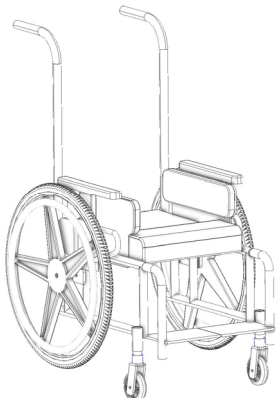
- ⚠ Caution: Read Instructions before operating device.
- ⚠ Caution: Device should be installed by a trained wheelchair technician.
- ⚠ Caution: Use caution when installing, removing or adjusting device to avoid pinching or trapping fingers.
- ⚠ Caution: Device should be fitted by a trained Assistive Technology Professional

Product Identification



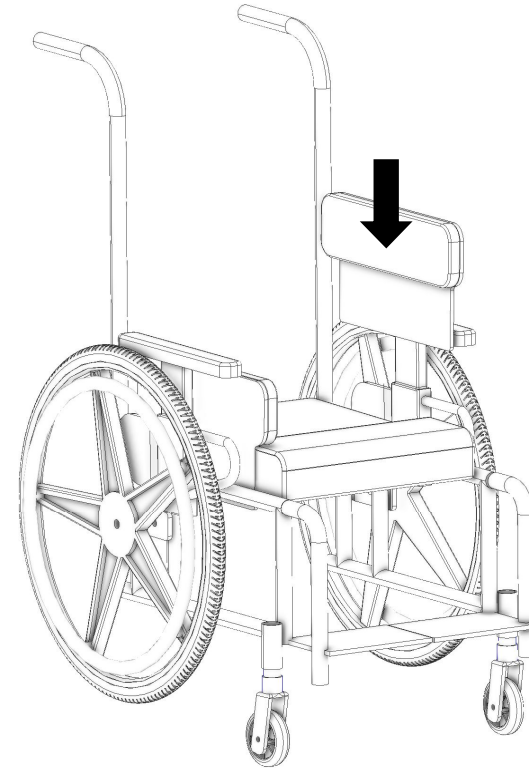
To Install:

Image below shows installed device.



To Install:

- 1: Slide hip pad down into space between cushion and armrest.



Care and Cleaning

- 1: Remove Cover.
- 2: Machine Wash in Warm (40° C) Water with Mild Detergent.
Tumble Dry Low



- 3: Reinstall Cover